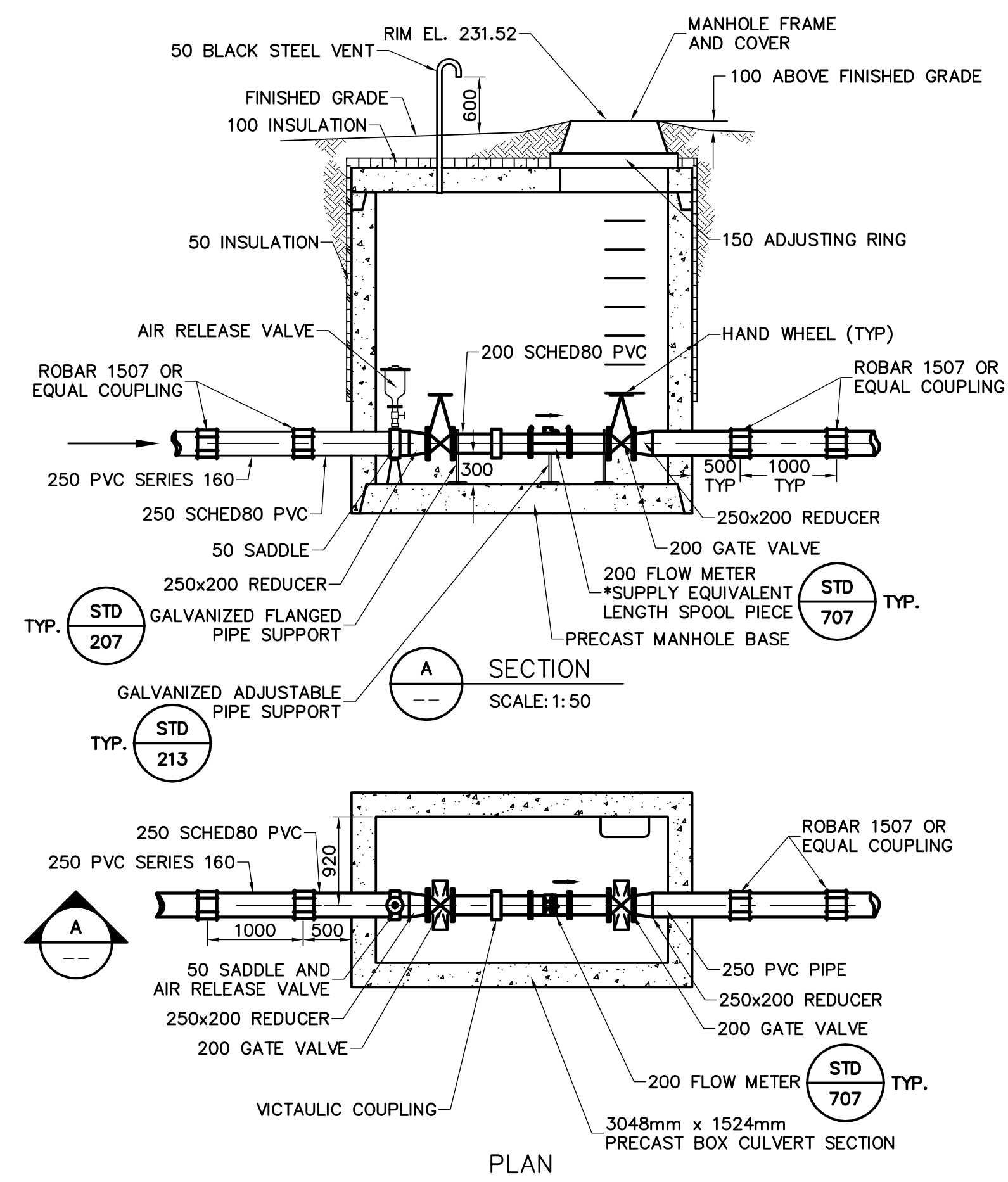
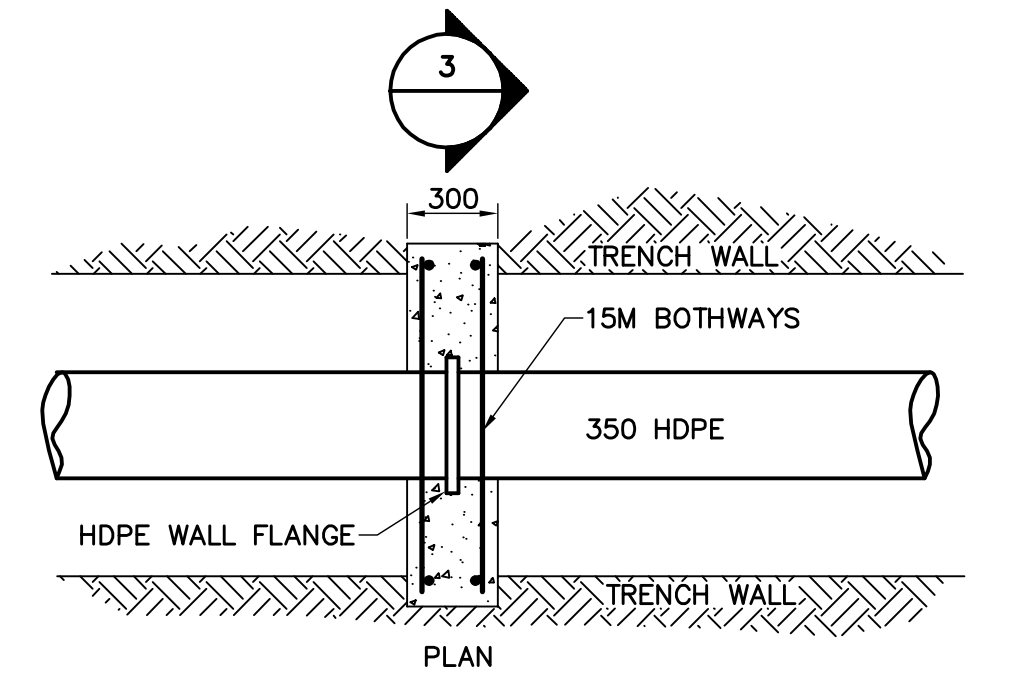


1 PROFILE
SCALE AS SHOWN

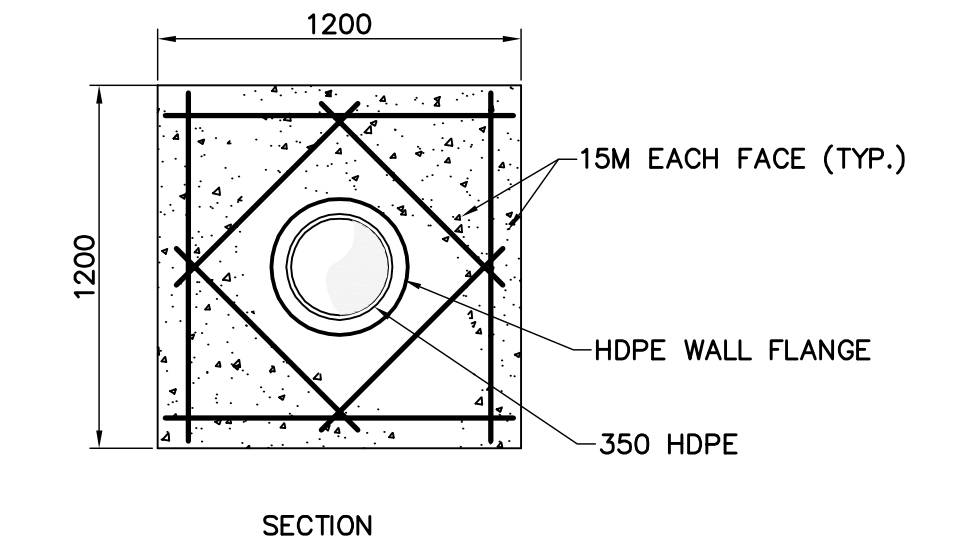
233.00
232.00
231.00
230.00
229.00
228.00
227.00
226.00
225.00



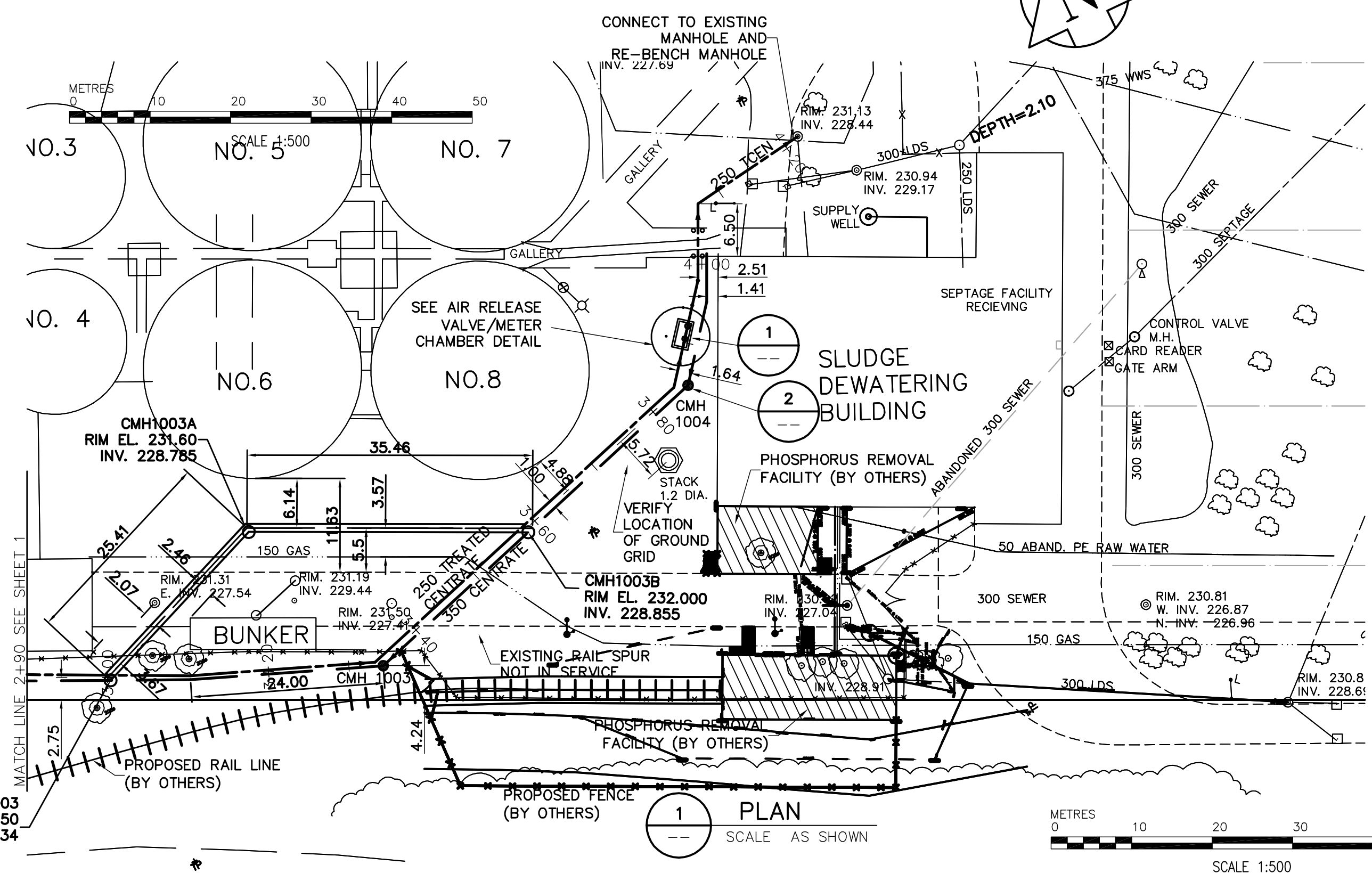
1 AIR RELEASE VALVE/METER CHAMBER
SCALE 1:50



NOTE: ANCHOR BLOCK TO BE LOCATED 1.5-2.0M EACH SIDE OF CLEANOUT MANHOLE OR CONNECTION TO DUCTILE IRON PIPE

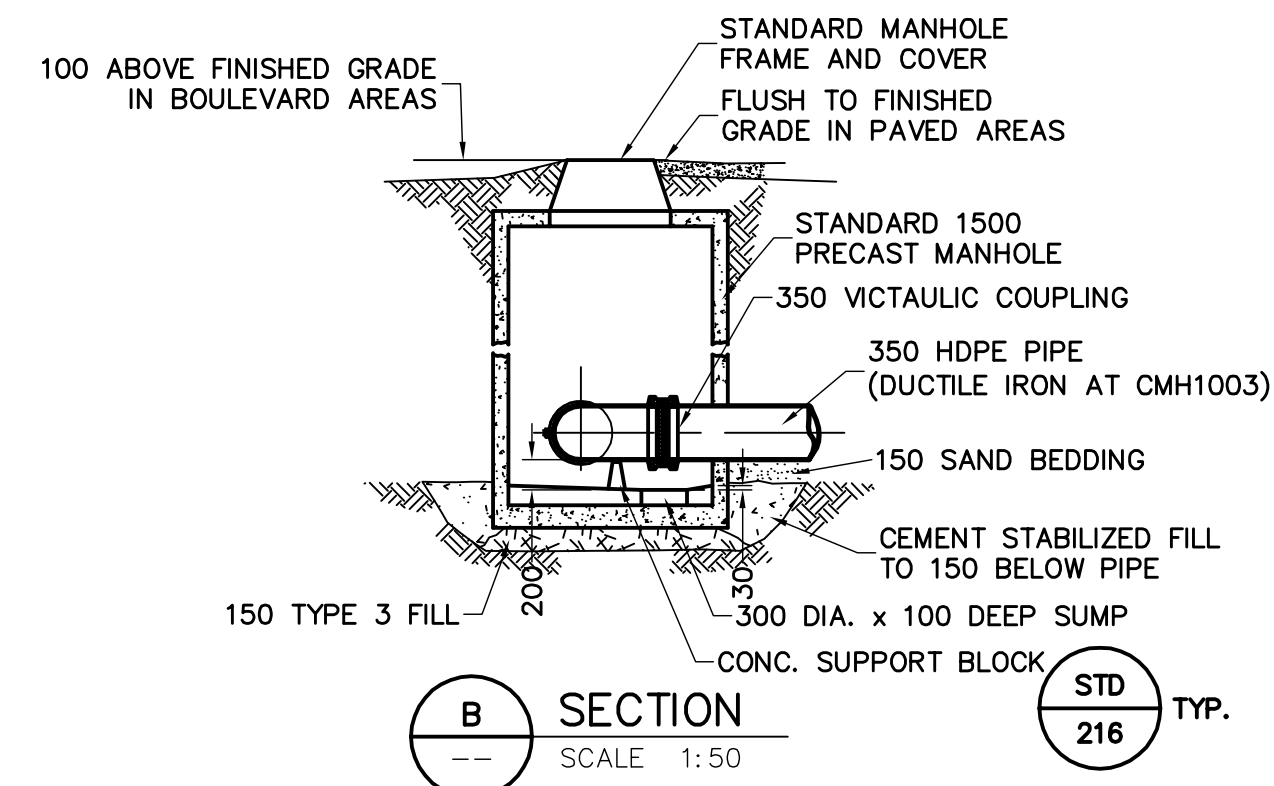


3 ANCHOR BLOCK DETAIL
SCALE 1:25

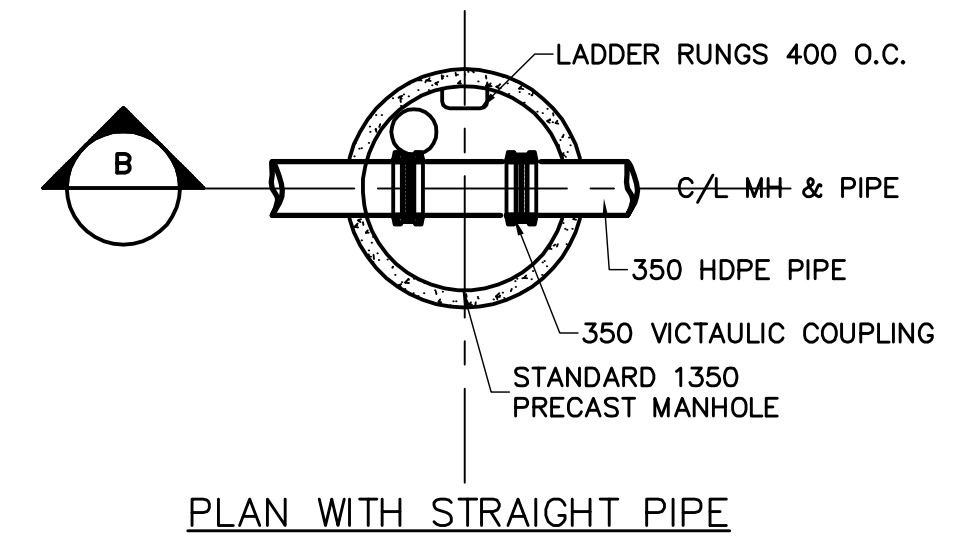


1 PLAN
SCALE AS SHOWN

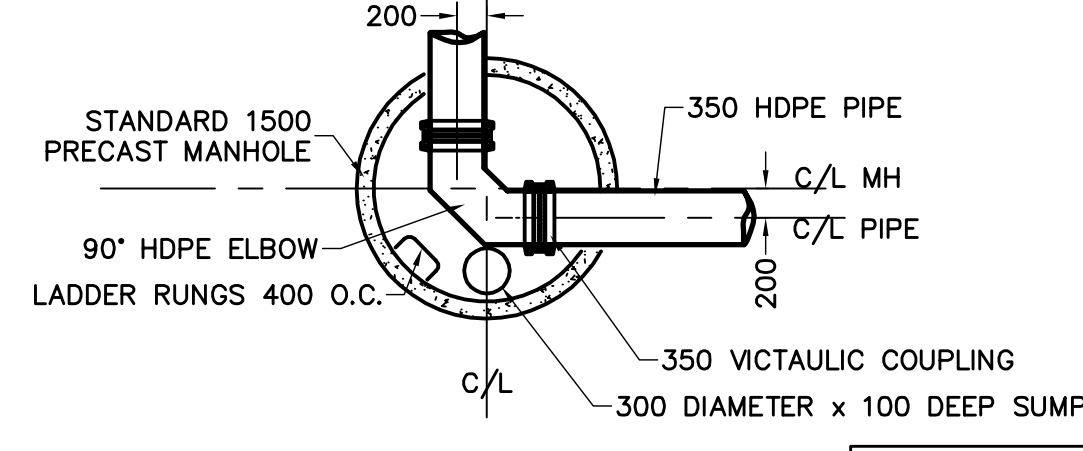
0 10 20 30 40 50 METRES
SCALE 1:500



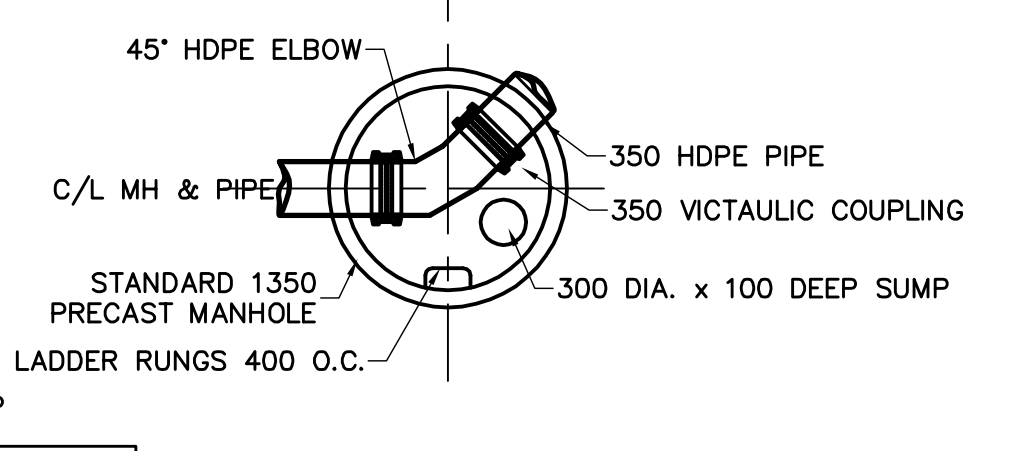
B SECTION
SCALE 1:50



PLAN WITH STRAIGHT PIPE



PLAN WITH 90° ELBOW



PLAN WITH 45° ELBOW

2 CLEANOUT CHAMBER
SCALE 1:50

- GENERAL NOTES:
- A. BASELINE MEASURED DOWN CENTERLINE OF CENTRATE/TREATED CENTRATE TRENCH
 - B. EARTH TECH FIELD BOOK No. 4401
 - C. LOCATION OF UNDERGROUND STRUCTURES AS SHOWN ARE BASED ON THE BEST INFORMATION AVAILABLE, BUT NO GUARANTEE IS GIVEN THAT ALL EXISTING UTILITIES ARE SHOWN OR THAT THE GIVEN LOCATIONS ARE EXACT. CONFIRMATION OF EXISTENCE AND EXACT LOCATION OF ALL SERVICES MUST BE OBTAINED FROM THE INDIVIDUAL UTILITIES BEFORE PROCEEDING WITH CONSTRUCTION
 - D. PHOSPHORUS REMOVAL FACILITY (BY OTHERS).

AECOM

As of January 3, 2009, EarthTech became AECOM Canada Ltd.

AECOM AS-CONSTRUCTED
SIG: _____ DATE: _____

150 mm W.M.	WATERMAIN	150 mm W.M.	HYDRO	LIGHT STANDARD
Hydrant	HYDRANT	Hydro M.T.S.	M.T.S.	BOLLARD
Valve	VALVE	CONCRETE	CONCRETE	FIRE EXTINGUISHER
300mm L.D.S.	LAND DRAINAGE SEWER	ASPHALT	ASPHALT	CURB STOP
250mm W.W.S.	WASTEWATER SEWER	PROPERTY LINE	PROPERTY LINE	TREATED CENTRATE
Manhole	MANHOLE	TEST HOLES	TEST HOLES	@ RAILWAY TRACK
Catch Basin	CATCH BASIN	ELEVATION	ELEVATION	DITCH
Curb Inlet	CURB INLET	TREE	TREE	RAS
Junctions	JUNCTIONS	ANODE	ANODE	WAS
Culvert	CULVERT	CONCRETE SIDEWALK	CONCRETE SIDEWALK	FW
Gas	GAS	FENCE	FENCE	CENTRATE
EXISTING	LEGEND - PLAN	PROPOSED	EXISTING	LEGEND - PLAN
PROPOSED	LEGEND - PLAN	PROPOSED	PROPOSED	LEGEND - PLAN

AECOM
Certificate of Authorization
AECOM Canada Ltd.
Original dated on:
No. 4671 Date: 2006/05/15

13-027 W. side Main St. on the grounds of the North End B.M. Treatment Plant, 10m. on top of Conc. pit in front of main ELEV. bldg., 22.3m E. of line of main Ely. wall & 32.8m S. of main Nly. wall of main bldg. (See to 101) ELEV. = 231.261m	
DESIGNED BY: GSK	CHECKED BY: KWF
DRAWN BY: FC	APPROVED BY: JEH
SCALE: HOR: 1:500 VERT: 1:50	RELEASED FOR CONSTRUCTION BY: K. MARTENS
NO. REVISIONS	DATE BY
02 AS-CONSTRUCTED DRAWING	09/04/06 DEP
01 ISSUED FOR CONSTRUCTION	06/08/30 GLG
00 ISSUED FOR TENDER	06/05/15 FC
DATE	2006/01/16
DATE	2006/05/15

EarthTech
A Tyco International Ltd. Company

ENGINEER'S SEAL
ORIGINAL SIGNED BY: K.W. FITCHETT
2006/05/15
CONSULTANT DRAWING NO. C4.02

THE CITY OF WINNIPEG
WATER AND WASTE DEPARTMENT
ENGINEERING DIVISION
NEWPCC CENTRATE NUTRIENT TREATMENT NITROGEN REMOVAL FACILITY
CITY FILE NUMBER
SHEET OF
CITY DRAWING NUMBER
1-0101C-C0006-002-02
CIVIL
CENTRATE FEED LINE AND TREATED CENTRATE RETURN LINE-PLAN AND PROFILE-SHEET 2